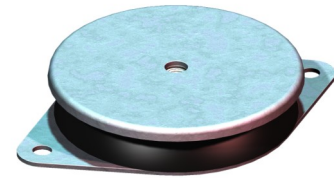


BA-Mounting

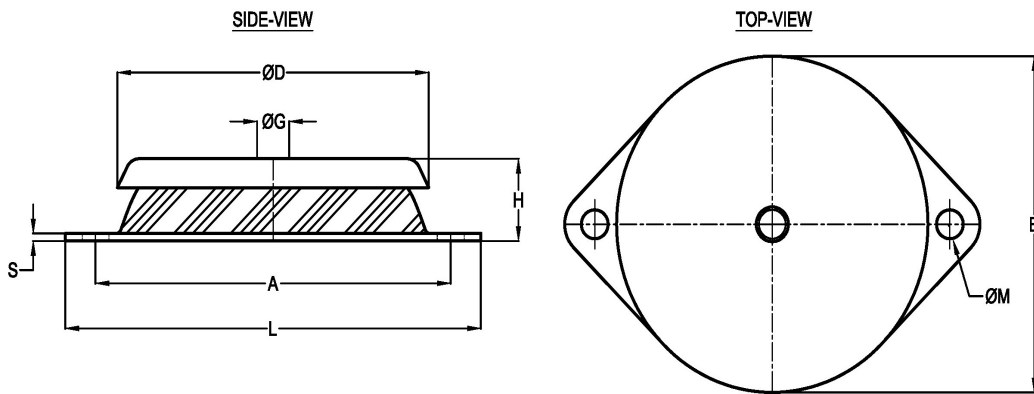
type 10-BA

Max. 1300 kg - 8 mm - 5.5 Hz

BA-Mountings offer a good vibration insulation in combination with a small height. These mountings are easy to install and offer a high level of insulation. BA-Mountings are available in various dimensions and rubber mixes. For the selection of these mountings we advise you to consult our engineers.

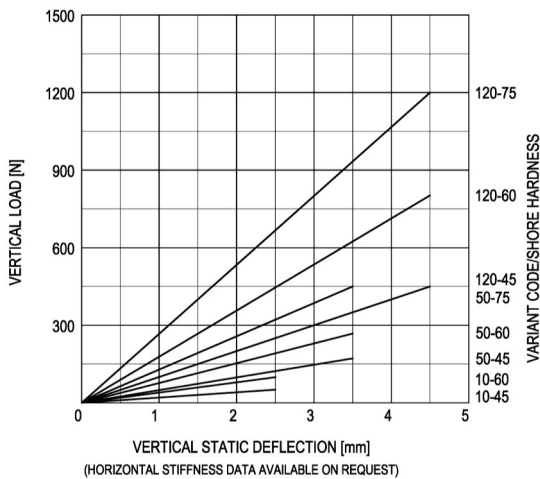


Applications: ventilation units, cooling equipment, pumps modules, compressor sets, etc.



Standard Type	Dimensions							
	L (mm)	H (mm)	B (mm)	A (mm)	D (mm)	G (mm)	S (mm)	M (mm)
10-BA-10-A	64	20	40	52	40	M-6	2	6
10-BA-50-A	90	24	60	76	60	M-6	2	6
10-BA-120-A	120	27	80	100	80	M-8	2	8
10-BA-220-A	148	28	100	124	100	M-10	2,5	10
10-BA-400-A	214	40	150	182	150	M-14	4	12
10-BA-1300-A	280	44	200	240	200	M-18	5	15

LOAD CHARACTERISTICS BA-10/50/120-A



LOAD CHARACTERISTICS BA-220/400/1300-A

