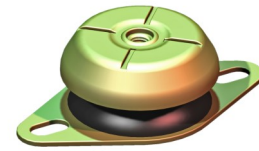




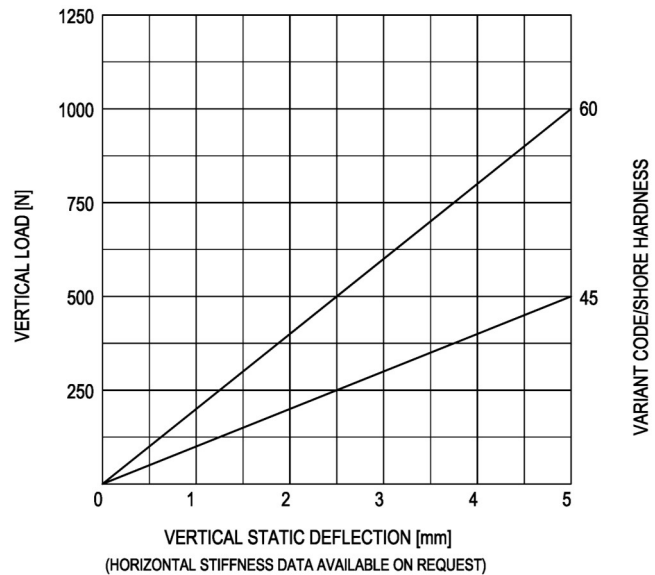
GM-Mounting
type 10-GM-100-A
 Max. 100 kg - 5 mm - 7 Hz

GM-Mountings are very suitable for stationary and mobile applications. These compact anti-vibration mountings are easy to install and offer a high level of vibration and acoustic insulation. The integrated rebound control-device limits excessive movement under external loads. GM-Mountings are available in several rubber mixes to accommodate a large load range. These mountings can be supplied with a height adjustment feature and are also available with M10 inner thread.

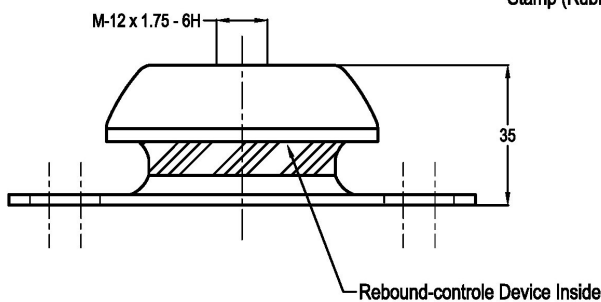


Applications: generator sets, pump units, compressor sets, etc.

LOAD CHARACTERISTICS



SIDE-VIEW



TOPVIEW

