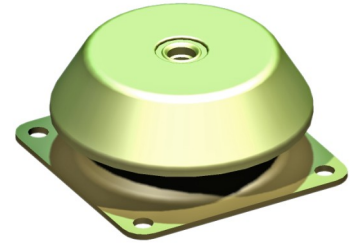


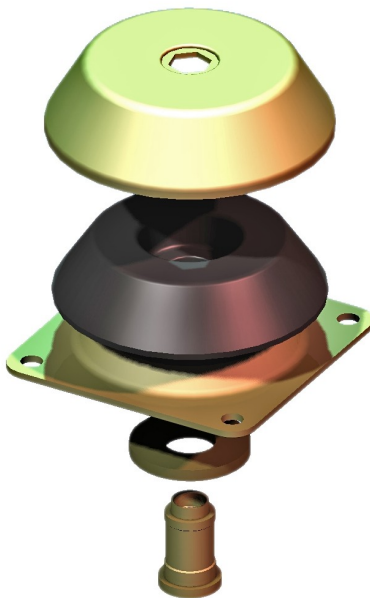


GM-Mounting
type 10-GM-6000-A
Max. 5000 kg - 8 mm - 5.5 Hz

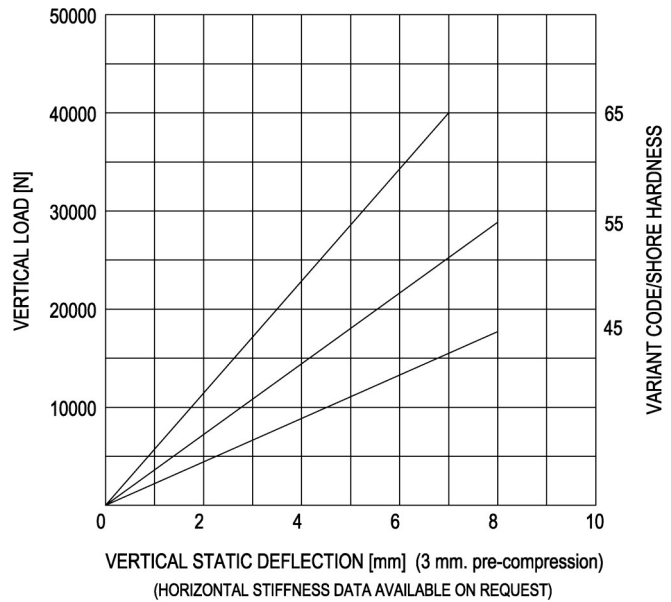
GM-Mountings are very suitable for marine and mobile applications. These compact anti-vibration mountings are easy to install and offer a high level of vibration insulation (90% against 1500 rpm). The integrated rebound control-device limits excessive movement under extreme shock loads of over 5g. GM-Mountings are available in several rubber mixes to accommodate a large load range and can be supplied with a height adjustment feature and M20 inner thread.



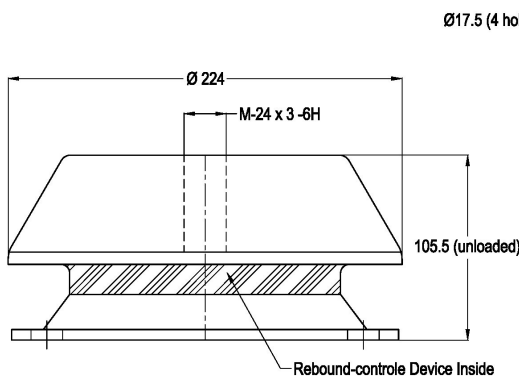
Applications: marine propulsion-engines and generator sets, pump units, compressor skids, etc



LOAD CHARACTERISTICS



SIDE-VIEW



TOPVIEW

