



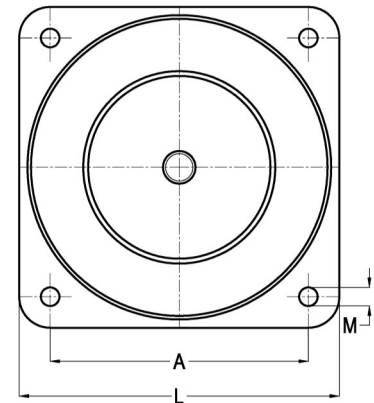
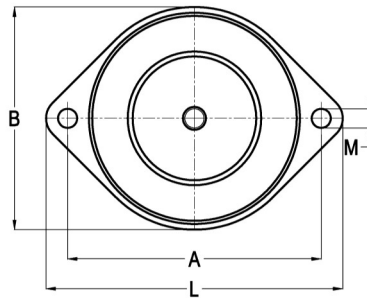
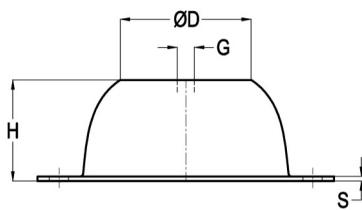
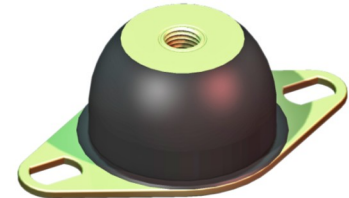
# LN-Mounting

## type 10-LN

Max. 750 kg - 16 mm - 4 Hz

**LN-Mountings** are flexible in both horizontal and vertical direction. These mountings are easy to install and offer a high level of insulation. Sensitive equipment is well protected by these elements against shock and vibration. LN-Mountings are available in various dimensions and rubber mixes. For the selection of these mountings we advise you to consult our engineers.

Applications: ventilation units, cooling equipment, sensitive equipment, small pumps, compressor sets, etc.



Dimensions [mm]									Max. Loads [kg] / Defl. [mm]		
Type Nr.	L	H	B	A	D	G	S	M	40° sh.	60° sh.	Max Defl.
10-LN-10-A	64	20	43	50	18	M-6	1.5	7	3.5	9	3
10-LN-40-A	88	25	59	66	33	M-8	2	8	20	50	4
10-LN-50-A	114	35	76	92	45	M-10	2	10	40	80	6
10-LN-100-A	136	40	96	110	53	M-10	3	11.5	70	150	9
10-LN-200-A	151	45	101	124	58	M-10	3	11.5	130	220	8
10-LN-400-A	150	63	-	120	70	M-12	3	14.5	280	500	14
10-LN-600-A	200	85	-	160	100	M-16	3	14.5	380	750	16