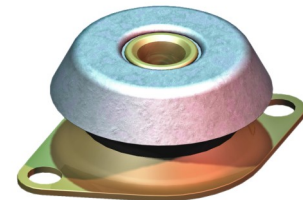


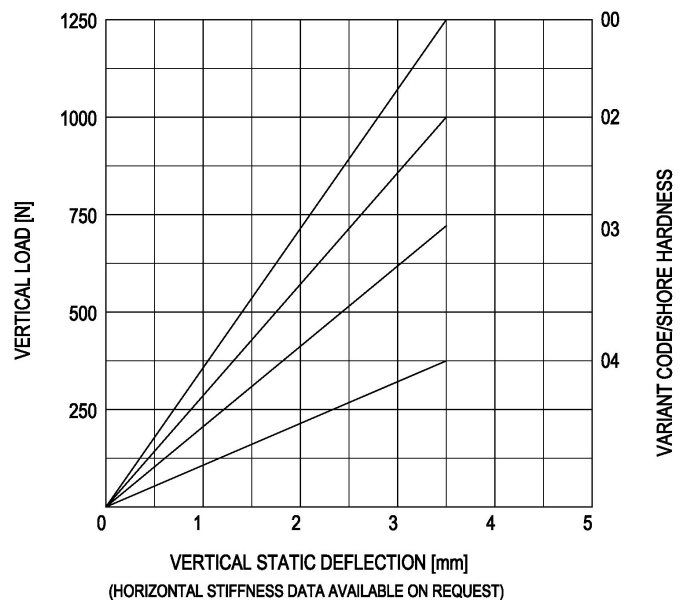
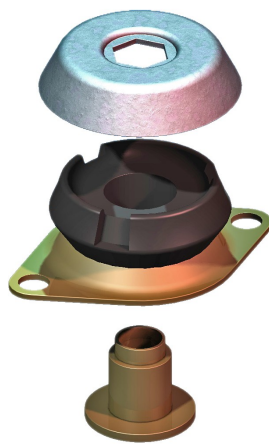
MD-Mounting
type 10-MD-120-A
 Max. 120 kg - 3.5mm - 8.5 Hz

MD-Mountings are compact anti-vibration mountings offering a high level of dampening against high amplitudes (particularly on 1, 2 and 3 cylinder engines). The integrated rebound control-device limits excessive movement under shock loads (up to 5g). This makes the MD-Mountings very suitable for mobile and marine applications. These mountings can be supplied with a height adjustment feature.

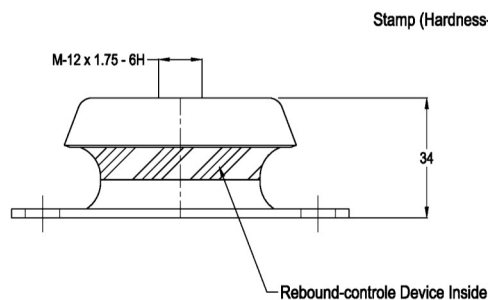


Applications: generator sets, marine and industrial engines, pump units, compressor sets, etc.

LOAD CHARACTERISTICS



SIDEVIEW



TOPVIEW

