



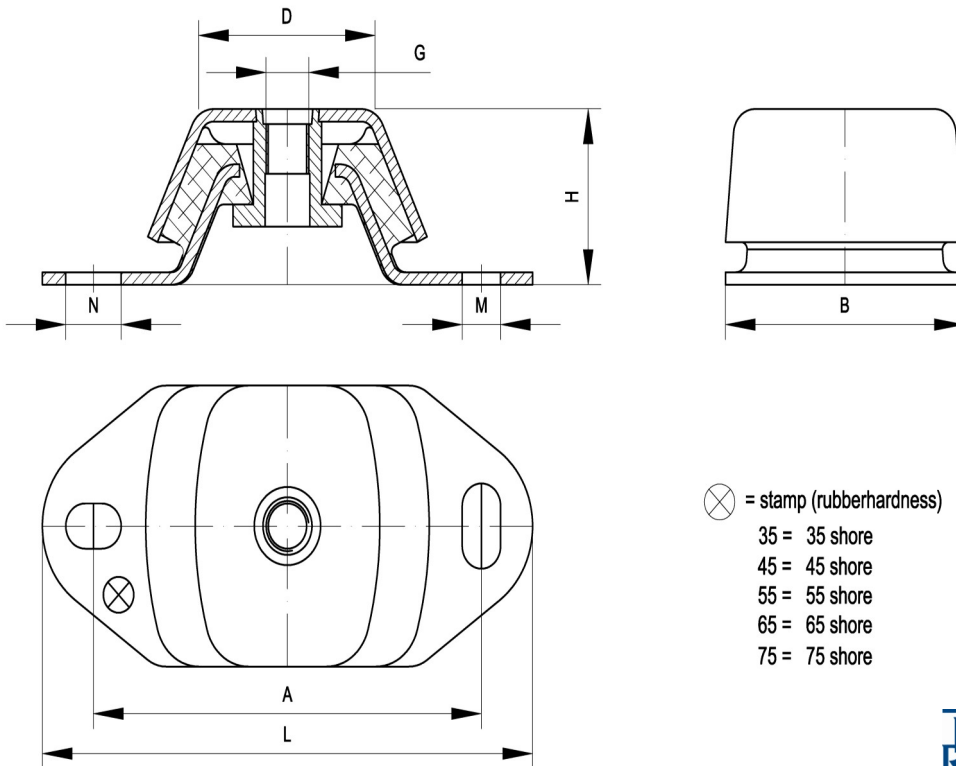
# MM-Mounting

## type 10-MM

Max. 1020 kg - 6 mm - 6.5 Hz

**MM-Mountings** are very suitable for marine and mobile applications. These anti-vibration mountings are easy to install and offer a high level of vibration insulation. The integrated rebound control-device limits excessive movement under shock loads. MM-Mountings are available in several rubber mixes to accommodate a large load range. These mountings can be supplied with a height adjustment feature.

Applications: marine propulsion-engines, generator sets, pump units, compressor sets, etc.



Dimensions [mm]									Max. Loads [kg] / Defl. [mm]					
Type Nr.	L	H	B	A	D	G	M	N	35°	45°	55°	65°	75°	mm
10-MM-110-A	120	38	60	100	60	M-12	11x14	11x14	35	50	70	100	120	5
10-MM-340-A	183	50	75	140	75	M-16	13x20	30x13	90	120	210	275	360	6
10-MM-950-A	230	70	112	182	80	M-20	18x26	34x18	180	350	550	775	1020	6