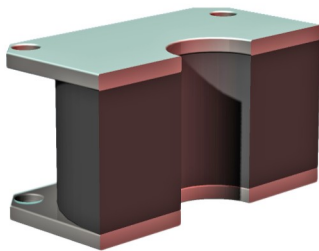
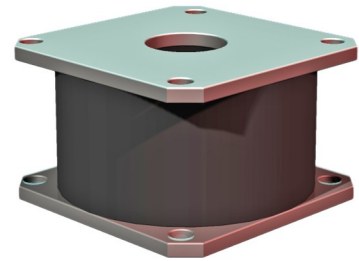




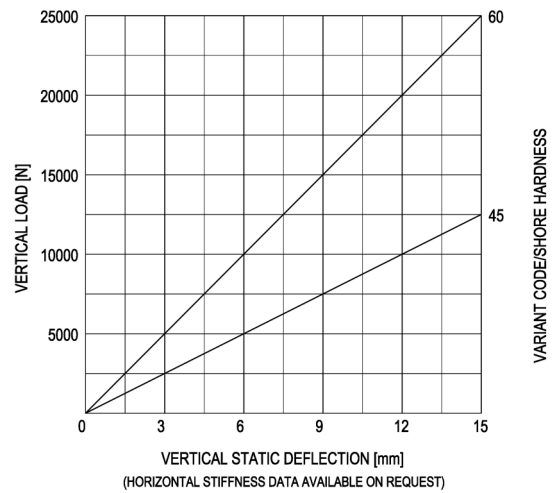
**SP-Mounting**  
**type 10-SP-2500-A**  
**Max. 2500 kg - 15 mm - 4 Hz**

**SP-Mountings** are suitable for heavy (sensitive) stationary machinery and floating floor systems. The mountings have high deflection capabilities and offer superior acoustic performance. Natural frequencies can reach as low as 4 Hz.. These mountings are produced in a variety of rubber mixes and are also available in Stainless Steel 316. For the selection of these mountings we advise you to consult our engineers.

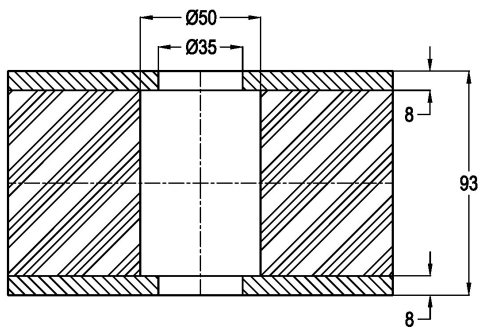
Applications: total-energy-units, generator sets, cooling equipment, floating floor systems etc.



**LOAD CHARACTERISTICS**



**CROSS-SECTION**



**TOP-VIEW**

