

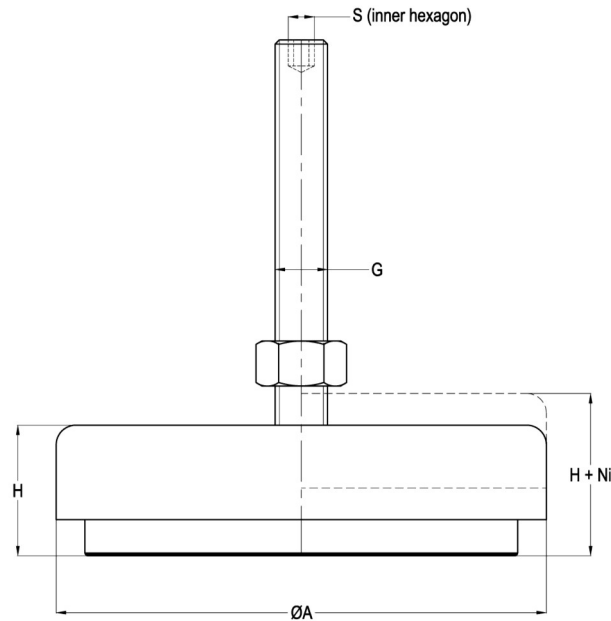


TFM-Mounting type 10-TFM Max. 6000 kg - 3.5mm - 8.5

TFM-Mountings with level adjuster are suitable for a wide range of applications. The internal rubber element is oil resistant and offers isolation against vibration and shock of rotating equipment. The TFM mountings are applied without fixation to the floor which makes it easy to reposition the machine. The metal parts are zinc plated for corrosion protection.

(available rubber hardness: 50/60/80 shore A).

Applications: workshop machinery, hydraulic presses, pump units, compressor sets, cooling units, etc.



Dimensions [mm]						
Type Nr.	ØA	H	Ni	S	G	Load [kg]
10-TFM-600-A-60	81	25	5	-	M12	600
10-TFM-1200-A-50	108	29	6	8	M16	600
10-TFM-1200-A-60	108	29	6	8	M16	900
10-TFM-1200-A-80	108	29	6	8	M16	1200
10-TFM-3000-A-50	152	35	8	10	M20	1500
10-TFM-3000-A-60	152	35	8	10	M20	2100
10-TFM-3000-A-80	152	35	8	10	M20	3000
10-TFM-6000-A-60	205	44	15	-	M24	6000