



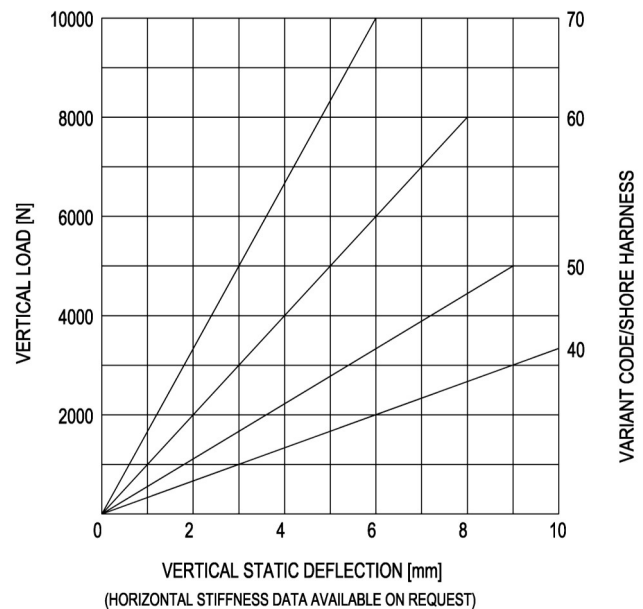
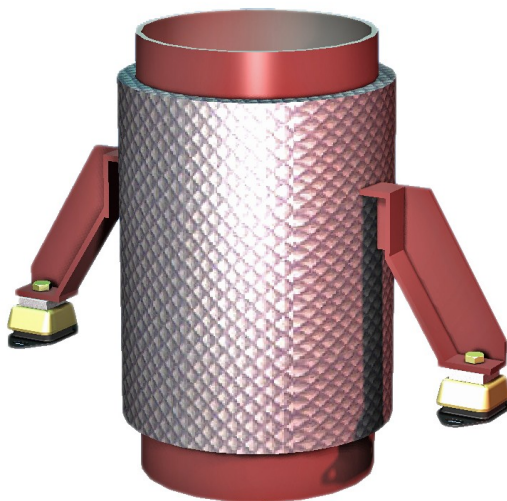
# FFP-Mounting

## type 20-FFP-4

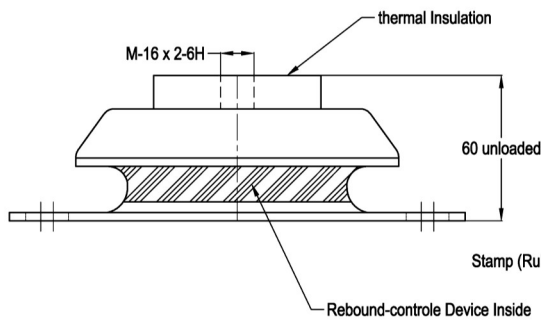
Max. 1000 kg - 10 mm - 5 Hz

**FFP-type** Flexible Fixed Points are used to support both vertical pipe sections and exhaust silencers. They are fitted with a thermal insulating plate for heat protection and feature protection against complete loss of support in the event of mechanical or fire damage. FFP-4 elements are also available with M20 and M12 inner thread. Customers are recommended to contact our application engineers for further technical information on products and applications.

Applications: supporting and stabilizing pipe sections and exhaust systems.



SIDE-VIEW



TOP-VIEW

