

Hanger Element

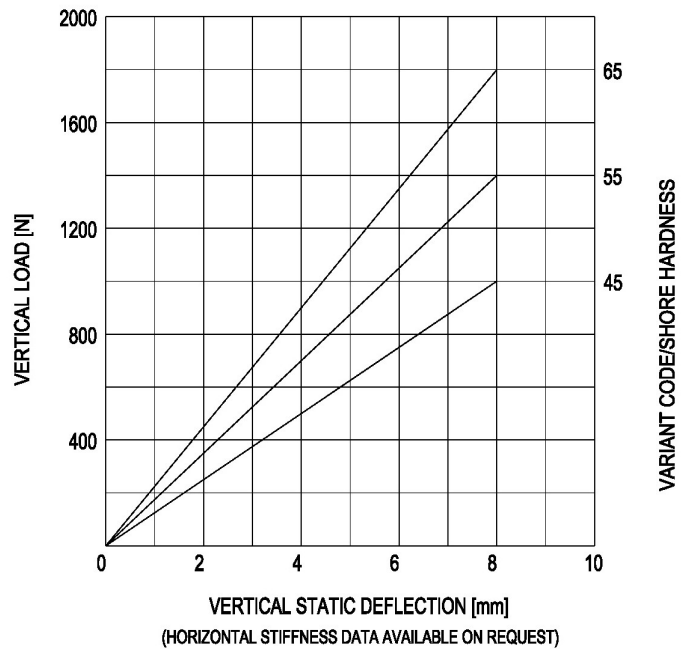
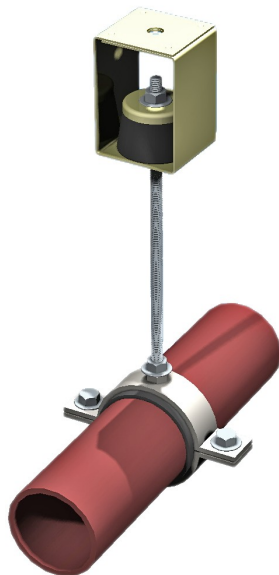
type 20-GR-200-A

Max. 180 kg - 8 mm - 5.5 Hz

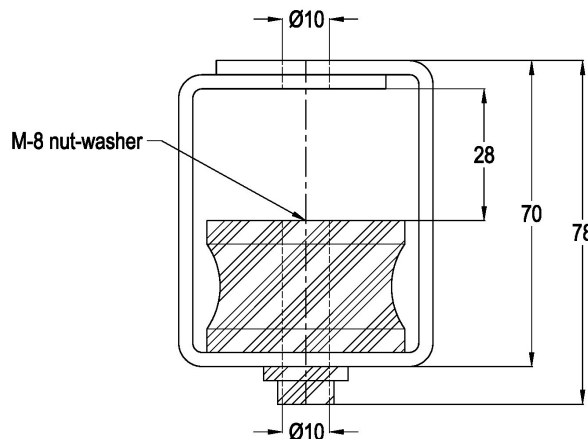
GR-type Hanger-Elements are typically used to isolate suspended fans, duct-work, fan-cool units, packaged air-conditioners, pipes, etc. They are also very effective for the support of suspended ceilings where acoustical isolation is required. The static deflection ranges up to 8 mm. and features protection against complete loss of support in the event of mechanical or fire damage. M-10 version also available. Customers are recommended to contact our application engineers for further technical information on products and applications.



Applications: hanger-elements for piping, acoustic ceilings, fans, air-conditioning units, sensitive equipment, etc.



SIDE-VIEW



TOP-VIEW

