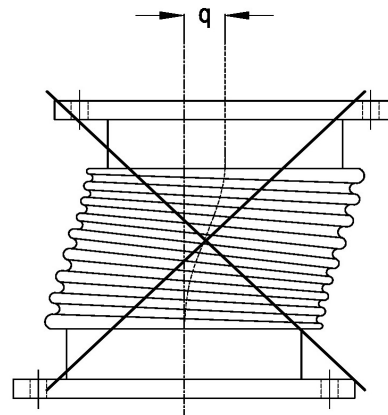
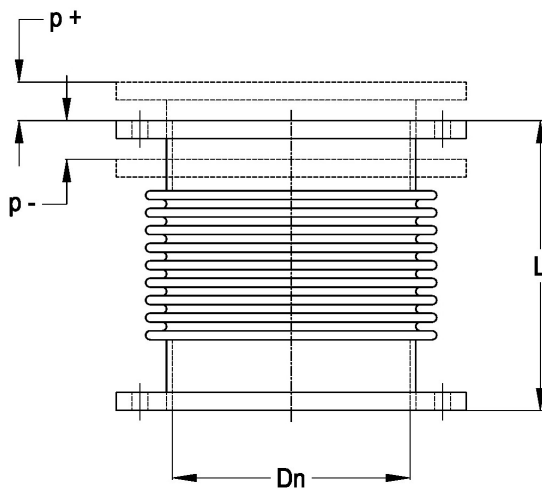
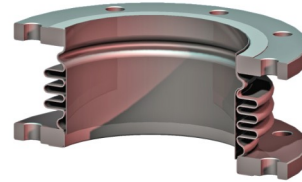
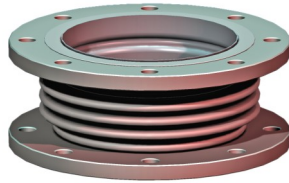




Expansion Bellows

type 80-EBF-fluid

Flange Fittings



Design pressure = 16 bar
 Design temperature = 250° C
 Material Bellow = Stainless steel AISA 316Ti
 Material Flanges = Carbon steel

Inner sleeve + Collars = AISA 304
 Design Cycle Life (EJMA) = 1000 cycles
 p = maximum axial movement (at 0 mm. lateral movement)
 q = maximum lateral movement (at 0 mm. axial movement)

Typenr.	Dn	L (mm)	SpR (N/mm)	Flange type	±p _{max} (mm)	q _{max} (mm)
80-EBF-15	15	130	35	16	10	0
80-EBF-20	19	130	44	16	11	0
80-EBF-25	25	130	52	16	15	0
80-EBF-32	32	130	54	16	15	0
80-EBF-40	40	130	84	16	19	0
80-EBF-50	50	130	90	16	17	0
80-EBF-65	65	130	94	16	15	0
80-EBF-80	80	130	102	16	18	0
80-EBF-100	100	130	118	16	18	0
80-EBF-125	125	130	130	16	18	0
80-EBF-150	150	130	144	16	18	0
80-EBF-200	200	130	158	10/16	15	0

* we advise you to discuss each application with our product-engineers before ordering

** other dimensions available on request

*** for all other conditions such as warranty we refer to our general conditions, which will be send to you f.o.c. on request