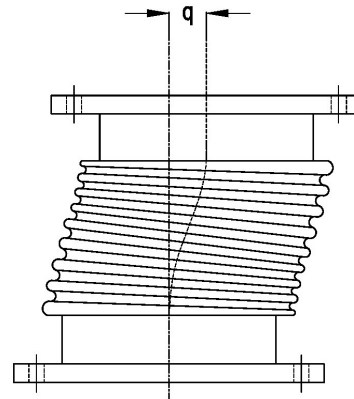
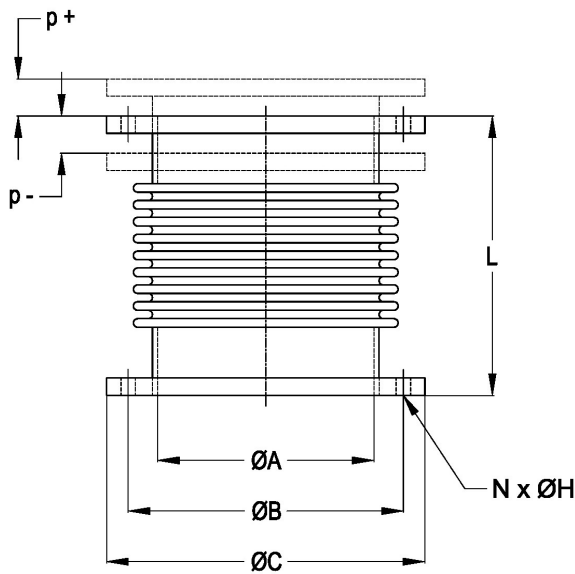
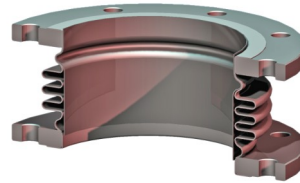
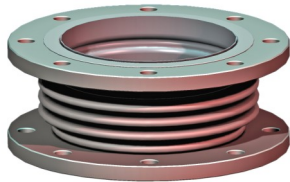


Expansion Bellows

type 80-EEF-gas

Flange Fittings



Design pressure = 2.5 bar
 Design temperature = 500° C
 Material Bellow = 1.4541 (AISA 321)
 Material Flanges = Carbon steel

Collars = 1.4541 (AISA 321)
 Design Cycle Life (EJMA) = 1000 cycles
 p = maximum axial movement (at 0 mm. lateral movement)
 q = maximum lateral movement (at 0 mm. axial movement)

Typenr.	Ø A (mm)	Ø B (mm)	Ø C (mm)	L (mm)	N x ØH (mm)	p _{max} (mm)	q _{max} (mm)
80-EEF-80	86.3	150	190	255	4 x 18	49	26
80-EEF-100	111.0	170	210	255	4 x 18	53	21
80-EEF-125	135.9	200	240	255	8 x 18	56	19
80-EEF-150	163.4	225	265	255	8 x 18	46	12
80-EEF-200	219.1	280	320	255	8 x 18	54	11
80-EEF-250	273.0	355	375	255	12 x 18	60	10
80-EEF-300	323.9	395	440	310	12 x 22	69	12
80-EEF-350	355.6	445	490	310	12 x 22	75	13
80-EEF-400	406.4	495	540	310	16 x 22	78	12
80-EEF-450	457.0	550	595	310	16 x 22	77	10
80-EEF-500	508.0	600	645	310	20 x 22	75	9

* we advise you to discuss each application with our product-engineers before ordering ** other dimensions available on request
 *** for all other conditions such as warranty we refer to our general conditions, which will be send to you f.o.c. on request