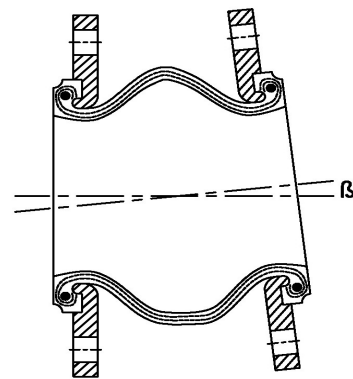
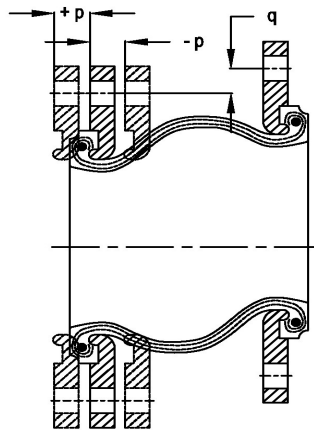
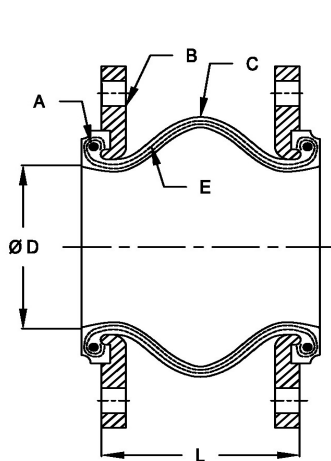
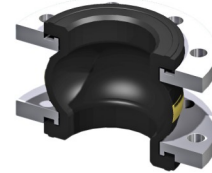
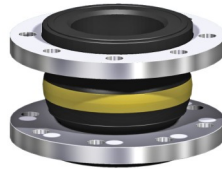


Expansion Bellows

type 80-RE-S-L

Standard PN10—PN16



A = Metal Ring

B = Flanges = Galvanized carbon steel, drilled acc. DIN-PN 10/16

C = Rubber Bellow Material = EPDM (100°) / NBR (90°) / VITON (200°)*

ØD = Nominal Diameter [mm]

E = Nylon Lining / Interleaved Fibres

L = Length [mm]

Maximum working pressure = 10/16 bar

Burst pressure = 40/60 bar

p = maximum axial movement (at 0 mm. lateral movement)

q = maximum lateral movement (at 0 mm. axial movement)

Typenr.	Ø D		L [mm] **		Pressure [bar]		±p _{max} [mm]	q _{max} [mm]	β [°]
	mm	inch	type S	type L	Working	Burst			
80-RE-S-25	25	1"	130	-	16	60	+20/-30	20	35
80-RE-S-32	32	1½"	130	-	16	60	+20/-30	20	35
80-RE-S-40	40	1½"	130	-	16	60	+20/-30	20	35
80-RE-S-50	50	2"	130	-	16	60	+20/-30	20	30
80-RE-S-65	65	2½"	130	-	16	60	+20/-30	20	30
80-RE-S-80	80	3"	130	-	16	60	+20/-30	20	30
80-RE-S/L-100	100	4"	130	135	16	60	+20/-30	20	25
80-RE-S/L-125	125	5"	130	170	16	60	+20/-30	20	25
80-RE-S/L-150	150	6"	130	180	16	60	+20/-30	20	15
80-RE-S/L-200	200	8"	130	205	16	40	+20/-30	20	15
80-RE-S/L-250	250	10"	130	240	16	40	+20/-30	20	10
80-RE-S/L-300	300	12"	130	260	16	40	+20/-30	20	10
80-RE-L-350	350	14"	-	265	10	40	+20/-30	20	10
80-RE-L-400	400	16"	-	265	10	40	+20/-30	20	10
80-RE-L-450	450	18"	-	265	10	40	+20/-30	20	10
80-RE-L-500	500	20"	-	265	10	40	+20/-30	20	10
80-RE-L-600	600	24"	-	265	10	40	+20/-30	20	6

* we advise you to discuss each application with our product-engineers before ordering

** other dimensions available on request

*** for all other conditions such as warranty we refer to our general conditions, which will be send to you f.o.c. on request